

Hose Reel Series 883



Hose Reels for increased efficiency

Improving your workspace

Air, Water, Oil and Grease

Air and fluids are efficiently dispensed and easily accessible with Series 883 hose reels.

The Series 883 hose reel allows for hose to be kept overhead, out of the way but still within easy reach. This is not only a great safety benefit, but also protects the hose from excessive wear and tear.

When not being used, the hose is out of harms way and kept from being damaged by forklifts and other vehicles.

The use of retractable hose reels is an effective way of preventing tripping accidents on the workshop floor.

A Nederman hose reel Series 883 is a safe, efficient and cost effective way to handle air and fluids. Pull out the required length of hose. After having finished the job, release the latch and the hose will recoil back on the drum.

Typical areas of use are garages, vehicle repair shops, industrial maintenance and production areas.

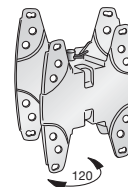
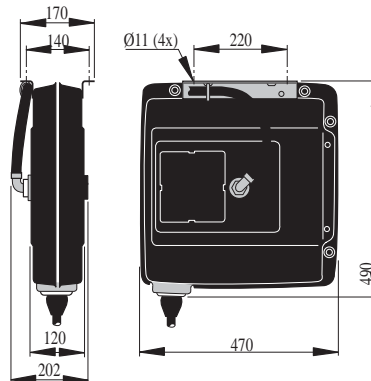
Model range

Medium	Max working pressure	Hose dimensions		Part No. With hose	Part No. Without hose
		Int.diam. mm (in)	Length m (ft)		
air/water	1.5 MPa (220 psi)	10 3/8	10 (33)	30800683 ^B	30800583 ^B
air/water	1.5 MPa (220 psi)	10 3/8	15 (50)	30800883 ^B	30800783 ^B
air/water	1.5 MPa (220 psi)	12.5 1/2	10 (33)	30801083	30800983
oil	7.5 MPa (1100 psi)	12.5 1/2	10 (33)	30801283	30801183
water	18 MPa (2600 psi)	10 3/8	15 (50)	30802283 ^H	30802183 ^H
grease	35 MPa (5100 psi)	6 1/4	10 (33)	30801483	30801383
grease	35 MPa (5100 psi)	6 1/4	15 (50)	30801883	30801383

B = 1/2" connection

H = Max 150° C. Must not be used for max. temp. and max. pressure at the same time.

- The spring tension is easily adjustable from the outside.
- Free choice: ceiling, wall or floor mounting by movable brackets.
- Easy and fast to service.
- Easy replacement of the hose without dismantling the reel.
- Six outlet rollers providing for smooth running of the hose. Reduced wear and tear.



Accessory: Pivoting wall bracket

Hole pattern and dimensions for wall mounting are the same as for the foot plate on the reel

Part No. 30372407

Part No. 30372408 Stainless

Material recycling: 73 - 99% of the weight.

Net weight: 10.5 - 13 kg including hose.

The majority of Nederman's products are manufactured within ISO 9001 and ISO 14001-certified systems.

Rights reserved for modification of design and measurements

Nederman

Nederman Canada Ltd
 6675 Millcreek Drive, Mississauga, ON, Canada L5N 5M4
 Tel: 905-542-9296 Fax: 905-542-2206
 Toll Free: 1-866-332-2611
 info@nedermancanada.com

www.nederman.com

Nederman is represented in:

Australia, Austria, Bahrain, Belgium, Brazil, Bulgaria, Canada, China, the Czech Republic, Cyprus, Denmark, Egypt, Estonia, Finland, France, Germany, Greece, Hong Kong, Hungary, Iceland, India, Iran, Ireland, Italy, Japan, Korea, Latvia, Lithuania, Malaysia, the Netherlands, Norway, Philippines, Poland, Portugal, Romania, Russia, Saudi Arabia, Serbia & Montenegro, Singapore, Slovenia, South Africa, Spain, Sweden, Switzerland, Taiwan R.O.C., Thailand, Turkey, United Arab Emirates, United Kingdom, USA.