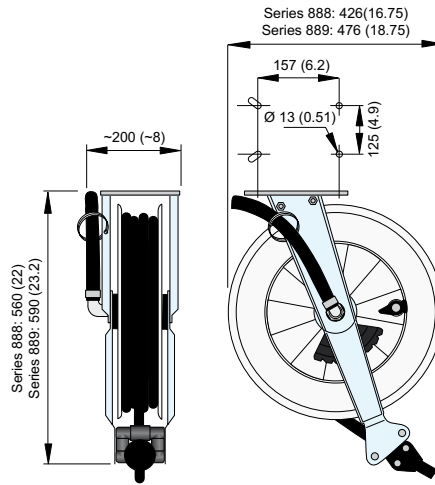


Anti-corrosion Hose Reel Series 888/889

The anti-corrosion hose reels have a stainless steel stand, brass hub and swivel, and drum of composite material.



- Suitable for wash down applications indoors and outdoors
- All components manufactured in highly corrosion resistant materials
- Adjustable outlet minimizes friction



Use for	Max. working pressure, MPa (psi)	Distribution hose		Connection hose		Hose material	Hose type (see end of chapter)	Weight, kg (lbs.)	Reel with hose Part no.	Reel without hose Part no.
		Int. Ø, mm (in)	Length, m (ft.)	Int. Ø, mm (in)	Length, m (ft.)					
Water – food grade hose	2.0 (290)	12.5 (1/2)	10 (33)	12.5 (1/2)	1 (3)	Rubber	E	11-16 (24-35)	30803288	30803188
			13+2 (42+6)		1 (3)	Rubber			30802089	30801989
HP water	25 (3625)	10 (3/8)	15 (49)	10 (3/8)	1 (3)	Rubber	G	11-16 (24-35)	30803488	30803388
			18 (59)		1 (3)	Rubber			30802289	30802189

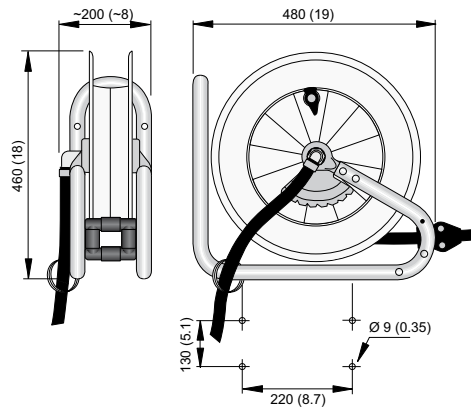
Material recycling: 100 %

Anti-corrosion Hose Reel Series 893

The anti-corrosion hose reels have a stainless steel stand, brass hub and swivel, and drum of composite material.



- Suitable for wash down applications indoors and outdoors
- All components manufactured in highly corrosion resistant materials
- Adjustable outlet minimizes friction



Use for	Max. working pressure, MPa (psi)	Distribution hose		Connection hose		Hose material	Hose type (see end of chapter)	Weight, kg (lbs.)	Reel with hose Part no.	Reel without hose Part no.
		Int. Ø, mm (in)	Length, m (ft.)	Int. Ø, mm (in)	Length, m (ft.)					
Water – food grade hose	2.0 (290)	12.5 (1/2)	10 (33)	12.5 (1/2)	1 (3)	Rubber	E	11-16 (24-35)	30804093	30803993
HP water	25 (3625)	10 (3/8)	15 (49)	10 (3/8)	1 (3)	Rubber	G	11-16 (24-35)	30804293	30804193

Material recycling: 100 %

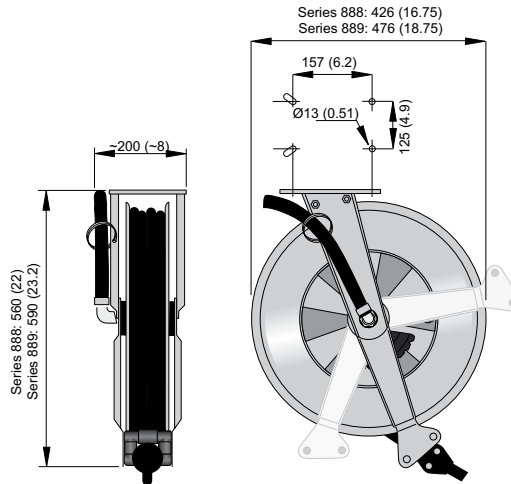
Product availability may differ by country

Stainless Steel Hose Reel Series 888/889

Suitable for tough indoor and outdoor environments. Their very high corrosion resistance means that they can withstand exposure to high air humidity and to chemicals.



- All components manufactured in stainless steel
- Open design facilitates cleaning
- Adjustable outlet arm minimizes friction



Use for	Max. working pressure, MPa (psi)	Distribution hose		Connection hose		Hose material	Hose type (see end of chapter)	Weight, kg (lbs.)	Reel with hose Part no.	Reel without hose Part no.
		Int. Ø, mm (in)	Length, m (ft.)	Int. Ø, mm (in)	Length, m (ft.)					
Water – food grade hose	2.0 (290)	12.5 (1/2)	10 (33)	12.5 (1/2)	1 (3)	Rubber	E	14-18 (30-40)	30803688	30803588
			15 (49)		1 (3)	Rubber	E		30803689	30803589
HP water	25 (3625)	10 (3/8)	15 (49)	10 (3/8)	1 (3)	Rubber	G	14-18 (30-40)	30803888	30803788
			20 (66)		1 (3)	Rubber	G		30803889	30803789

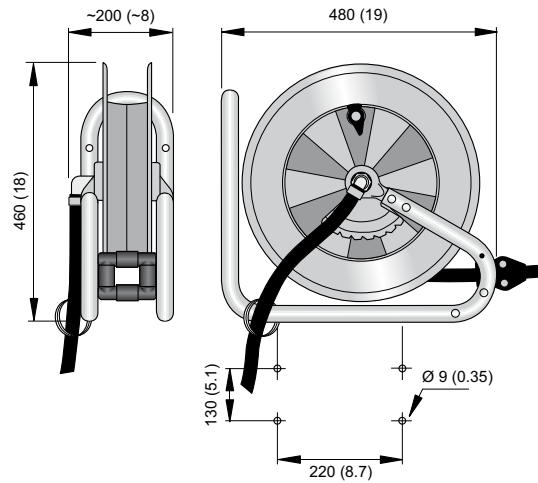
Material recycling: 100 %

Stainless Steel Hose Reel Series 893

Suitable for tough indoor and outdoor environments. Their very high corrosion resistance means that they can withstand exposure to high air humidity and to chemicals.



- All components manufactured in stainless steel
- Open design facilitates cleaning
- Adjustable outlet arm minimizes friction



Use for	Max. working pressure, MPa (psi)	Distribution hose		Connection hose		Hose material	Hose type (see end of chapter)	Weight, kg (lbs.)	Reel with hose Part no.	Reel without hose Part no.
		Int. Ø, mm (in)	Length, m (ft.)	Int. Ø, mm (in)	Length, m (ft.)					
Water – food grade hose	2.0 (290)	12.5 (1/2)	10 (33)	12.5 (1/2)	1 (3)	Rubber	E	14-18 (30-40)	30803293	30803193
HP water	25 (3625)	10 (3/8)	15 (49)	10 (3/8)	1 (3)	Rubber	G	14-18 (30-40)	30803493	30803393

Material recycling: 100 %

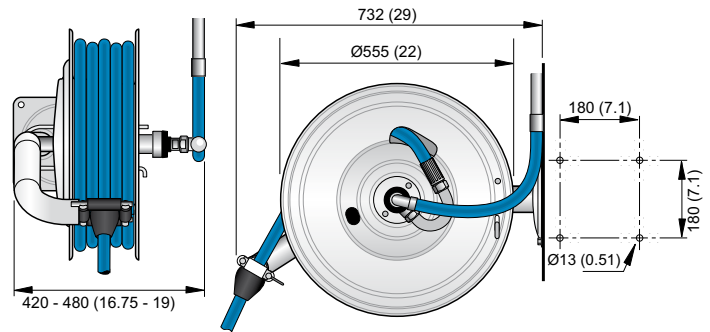
Product availability may differ by country

Stainless Steel Hose Reel Series 886

This hose reel, made entirely of stainless steel, is designed specifically for the food processing industry. It is very easy to clean thanks to rounded edges and features such as an easy to dismantle hose outlet, an externally mounted swivel, and a minimum number of material joints.



- Unique design makes easy cleaning
- Up to 25 m (82 ft.) hose capacity
- Meets international hygienic requirements



Reel without hoses

Use for	Max. working pressure, MPa (psi)	For hose dimensions		Weight excl. hose, kg (lbs.)	Reel without hose Part no.
		Int. Ø, mm (in)	Length, m (ft.)		
Water	2.0 (290)	19 (3/4)	18 (59)	28 (62)	32800186
		25 (1)	10 (33)	28 (62)	32802186
	10 (1450)	12.5 (1/2)	25 (82)	28 (62)	32800386
HP water	25 (3625)	10 (3/8)	25 (82)	28 (62)	32801386

Material recycling: 100 %