

Portable Fans



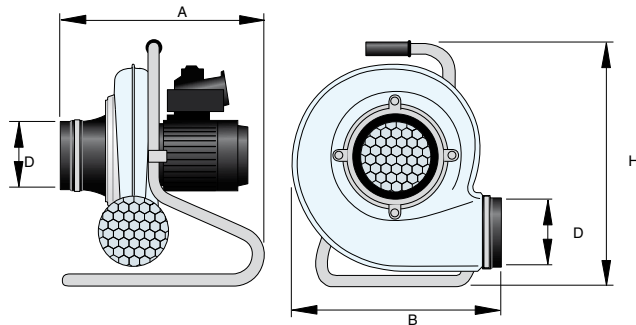
Nederman portable fan is a simple and powerful ventilation unit for service, repair and other temporary work. Ideal as an extractor for welding fumes, steam, dust or for providing fresh air during work in confined and enclosed spaces. A compact and easy to use fan which, in combination with inlet and outlet connections, makes a flexible and versatile unit with a wide range of applications.

- Compact and easy to use
- Stand included, wheel set as accessory
- On/off switch and motor protector included
- Robust and powerful



Dimensions				
Fan	A	B	D	H
N24	430 (17)	484 (19)	Ø 160 (6 1/4)	550 (22)

mm (inch)



Model	Airflow, m ³ /h (cfm)	Voltage, V	Frequency, Hz	Phase	Rated current, A	Power, kW (Hp)	Connection Ø in/out, mm (in.)	Weight, kg (lbs.)	Part no.
N24	500 -1500 (300 - 900)	120 V	60	1	10.0	0.75 (1.0)	160/160 (6 1/4 / 6 1/4)	17 (38)	14512422

Accessories	Part no.
Hose and nozzle kit for N16/N24 portable fans. Kit includes 100 mm (4 inch) plastic welding nozzle (Part no. 14501226) 5 m (16 ft.) of 160 mm (6 1/4 in.) 5 m (16 ft.) of 100 mm (4 in.) hose and a 160-100 mm (6 1/4-4 in.) reducer	14346590
Wheel set for N16 or N24 portable fan	14371707

Nederman also offers Fan Inverters and large capacity NCF fans.
For information about these products, please see the Nederman Design Guide,
or visit www.nederman.com, or contact your nearest Nederman dealer.

Product availability may differ by country