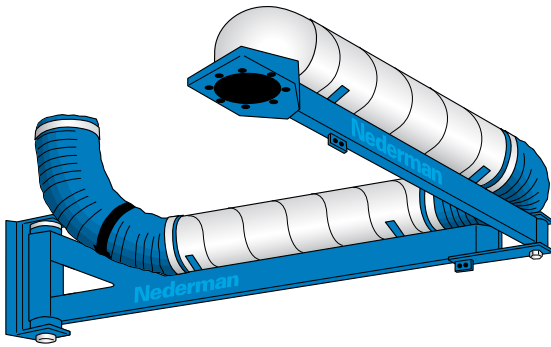
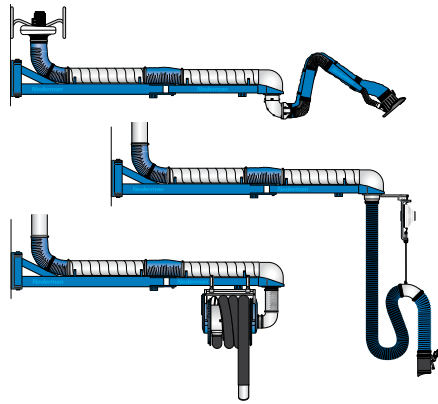


Extension Arm



The Nederman Extension arm, 4.2 m or 6.0 m (14 ft. or 20 ft.), is designed to be used when extra reach is needed. Combine it with fume or dust extraction arms, or exhaust extraction equipment for cars or trucks. Made of robust steel profiles. Suspended by a pivoting wall bracket and equipped with a joint in the middle, which makes it flexible in all directions. It is possible to add other equipment to the Extension arm, such as welding machines, and hose and cable reels.

- A universal bracket makes it possible to fit additional equipment directly on to the Extension arm
- The duct kit must be ordered separately

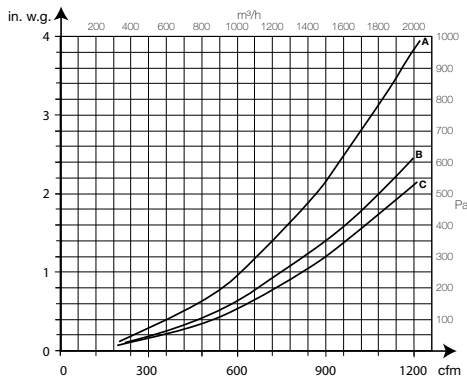


Examples of Extension arm with additional equipment.

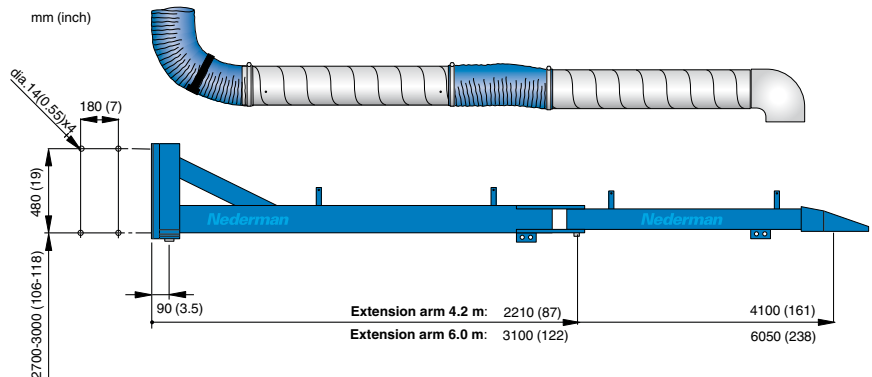
Recommended airflows	Max. 800 - 2000 m ³ /h (475-1200 cfm)
Recommended maximum negative pressure	3000 Pa (12 in. w.g.)
Connection Ø, mm (inch)	200 mm (8 in.)
Maximum load on outer arm 4.2 m (14 ft.)	100 kg (220 lb.)
Maximum load on outer arm 6.0 m (20 ft.)	60 kg (130 lb.)
Recommended installation height from floor level	2.7 - 3.0 m (9 - 10 ft.)

Recommended extraction arms	
Extraction arm Original	Maximum 4 m (14 ft.)
Extraction arm NEX MD	Maximum 3 m (10 ft.)
Extraction arm NEX HD	Maximum 3 m (10 ft.)

Pressure drop



A: Extension arm bent 40° (to its limit). B: Extension arm bent 90°. C: Extension arm is straight.



Description	Recovery rate by weight, %	Weight, kg	Materials	Part no
Extension Arm 4.2 m (14 ft.) - order duct kit separately	100	73 (160)	Powder coated steel	10506635
Extension Arm 6.0 m (20 ft.) - order duct kit separately	100	93 (205)	Powder coated steel	10507735

Accessory	Recovery rate by weight, %	Weight, kg	Materials	Part no
Cable for light kit	-	-	-	10345292
Suspension for Exhaust Hose Reel	100	2 (4)	Powder painted steel	20374358

Duct kit consists of	Max temp of extracted air, °C (°F)	Recovery rate by weight, %	Weight, kg (lb.)	Materials	Part no
Duct kit 4.2 m (14 ft.) Fume	70 (160)	92	8 (18)	Galvanized steel duct, PVC hose	10374376
Duct kit 4.2 m (14 ft.) Exhaust	150 (300)	57	12 (26)	Galvanized steel duct, NR-B hose	10374375
Duct kit 6.0 m (20 ft.) Fume	70 (160)	95	13 (29)	Galvanized steel duct, PVC hose	10374360
Duct kit 6.0 m (20 ft.) Exhaust	150 (300)	71	17 (37)	Galvanized steel duct, NR-B hose	10374374

Product availability may differ by country